



FEATURES:

- Excellent heat dissipation
- With a cut-off angle of 41°, the light source is hidden to avoid direct glare
- 30° tilting and 355° rotation
- Non-dimmable, phase dimmable, DALI options available
- UGR < 13
- Recessed downlight for indoor applications

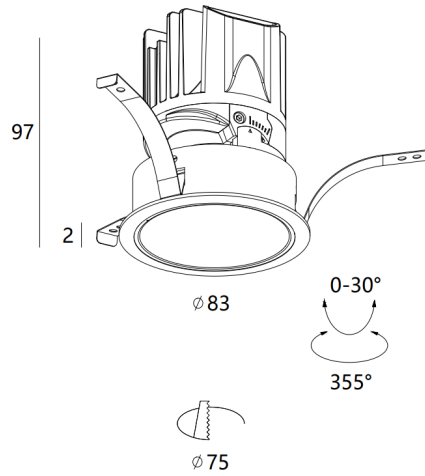
MONARCH RECESSED LED DOWNLIGHT

This modern recessed downlight combines comfortable light distribution and directional optical design with a cut-off angle of 41° to achieve UGR<13. Variety of colour temperatures and beam angles allow to meet various lighting needs.

SPECIFICATION:

Item Code	DL012			
Power	10W			
Lumen output (3000K)	730lm	770lm	800lm	850lm
Colour temperature	2700K	3000K	3500K	4000K
IP Rating	IP20			
Beam angle	18°/28°/38°/50°			
Tilting angle	30°			
Rotation	355°			
CRI	90			
UGR	< 13			
Operating temperature	-20°C.. +40°C			
LED Lifetime	50,000Hrs L80B10			
SDCM	< 3			
Dimming	Non-dim/Phase-dim/DALI			
Dimensions	H97mm x D83mm			
Cut-out	75mm			
Luminair colour	Matt White			
Reflector Colour	Chrome, matt white, matt black			

DRAWING



REFLECTOR OPTIONS

Chrome



Matt White

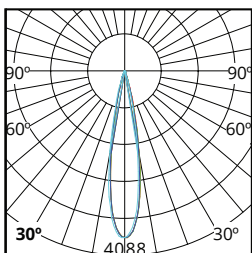


Matt Black



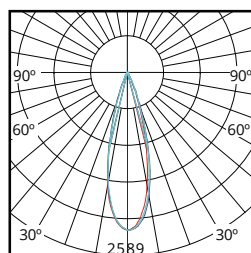
POLAR CURVES*

18° beam angle



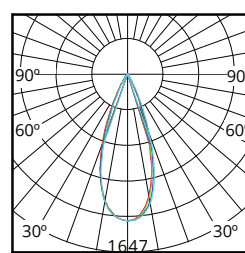
h(m)	E(lx)	D(m)
1	4957	0.34
2	1239	.068
3	309	1.02
4	198	1.36
5	137	1.70

28° beam angle



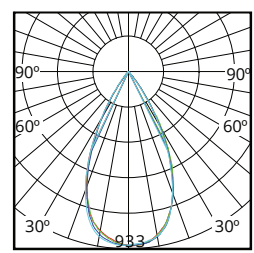
h(m)	E(lx)	D(m)
1	3113	0.49
2	778	0.99
3	345	1.49
4	194	1.98
5	124	2.48

38° beam angle



h(m)	E(lx)	D(m)
1	1999	0.67
2	499	1.35
3	222	2.03
4	124	2.70
5	79	3.38

50° beam angle



h(m)	E(lx)	D(m)
1	1118	0.97
2	279	1.95
3	127	2.92
4	69	3.90
5	44	4.87

*3000K 10W





FEATURES:

- Excellent heat dissipation
- With a cut-off angle of 41°, the light source is hidden to avoid direct glare
- 30° tilting and 355° rotation
- Non-dimmable, phase dimmable, DALI options available
- UGR < 13
- IP65 recessed LED downlight for outdoor applications

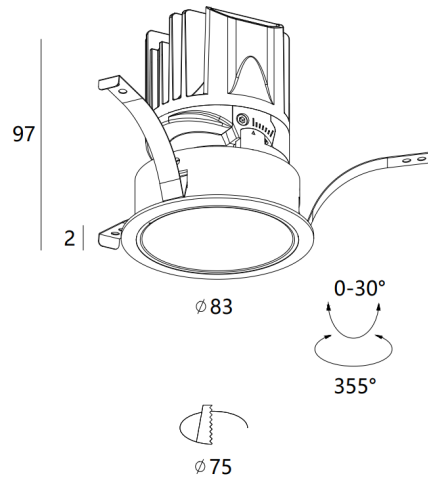
MONARCH RECESSED LED DOWNLIGHT

This modern recessed downlight combines comfortable light distribution and directional optical design with a cut-off angle of 41° to achieve UGR<13. Variety of colour temperatures and beam angles allow to meet various lighting needs.

SPECIFICATION:

Item Code	DL013			
Power	10W			
Lumen output (3000K)	730lm	770lm	800lm	850lm
Colour temperature	2700K	3000K	3500K	4000K
IP Rating	IP65			
Beam angle	18°/28°/38°/50°			
Tilting angle	30°			
Rotation	355°			
CRI	90			
UGR	< 13			
Operating temperature	-20°C.. +40°C			
LED Lifetime	50,000Hrs L80B10			
SDCM	< 3			
Dimming	Non-dim/Phase-dim/DALI			
Dimensions	H97mm x D83mm			
Cut-out	75mm			
Luminair colour	Matt White			
Reflector Colour	Chrome, matt white, matt black			

DRAWING



REFLECTOR OPTIONS

Chrome



Matt White

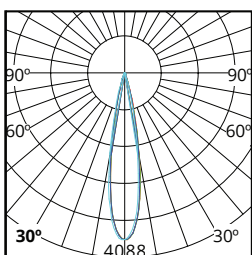


Matt Black



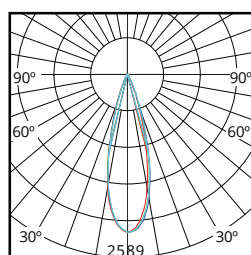
POLAR CURVES*

18° beam angle



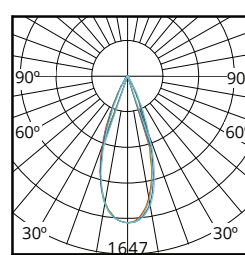
h(m)	E(lx)	D(m)
1	4957	0.34
2	1239	.068
3	309	1.02
4	198	1.36
5	137	1.70

28° beam angle



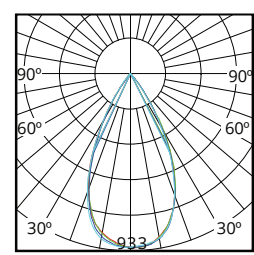
h(m)	E(lx)	D(m)
1	3113	0.49
2	778	0.99
3	345	1.49
4	194	1.98
5	124	2.48

38° beam angle



h(m)	E(lx)	D(m)
1	1999	0.67
2	499	1.35
3	222	2.03
4	124	2.70
5	79	3.38

50° beam angle



h(m)	E(lx)	D(m)
1	1118	0.97
2	279	1.95
3	127	2.92
4	69	3.90
5	44	4.87

*3000K 10W

