



✓ 3 Year Warranty On All Products

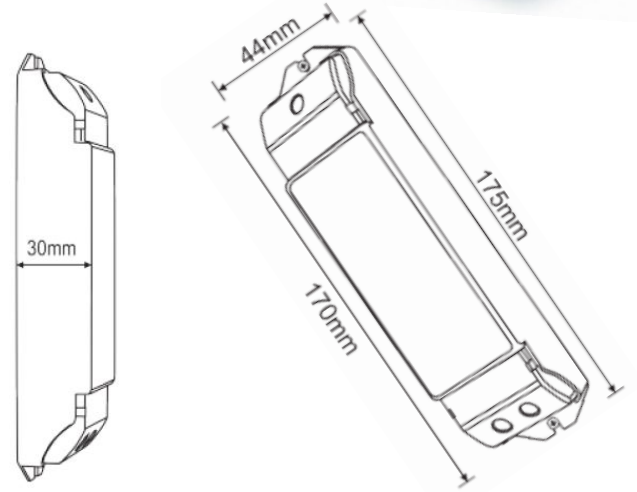
@ Email Enquiries: sales@azoogi.com

☎ Contact Us Today: (02) 9695 7882

LED RF Receiver 240W (12V) - 480W (24V)

Specs

Item Code	AREC002
Power	240W (12V) 480W (24V)
Output Voltage	12V or 24V DC
Input Voltage	5V-24V
IP Rating	IP20
Operating Temp.	-30/55C
Output	RF, PWM-CV
Remote Distance	30m



Compatible Smart Controllers

	ACNT001	
	ACNT002	
	ACNT003	

