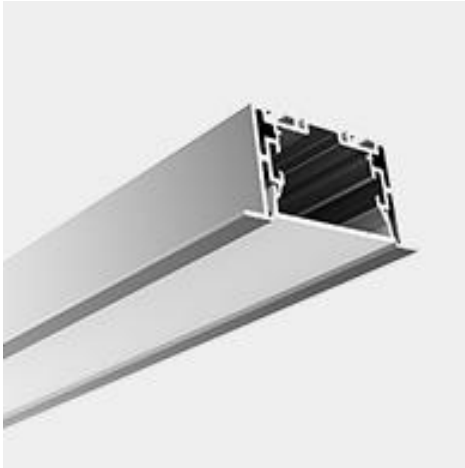


# Specification

PRC 6935

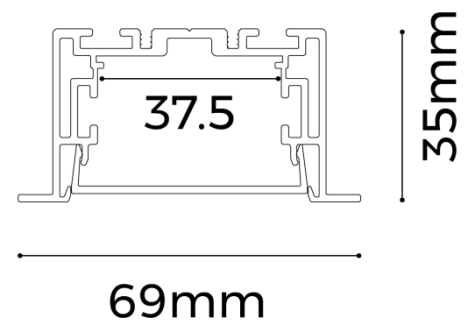


## PRC 6935

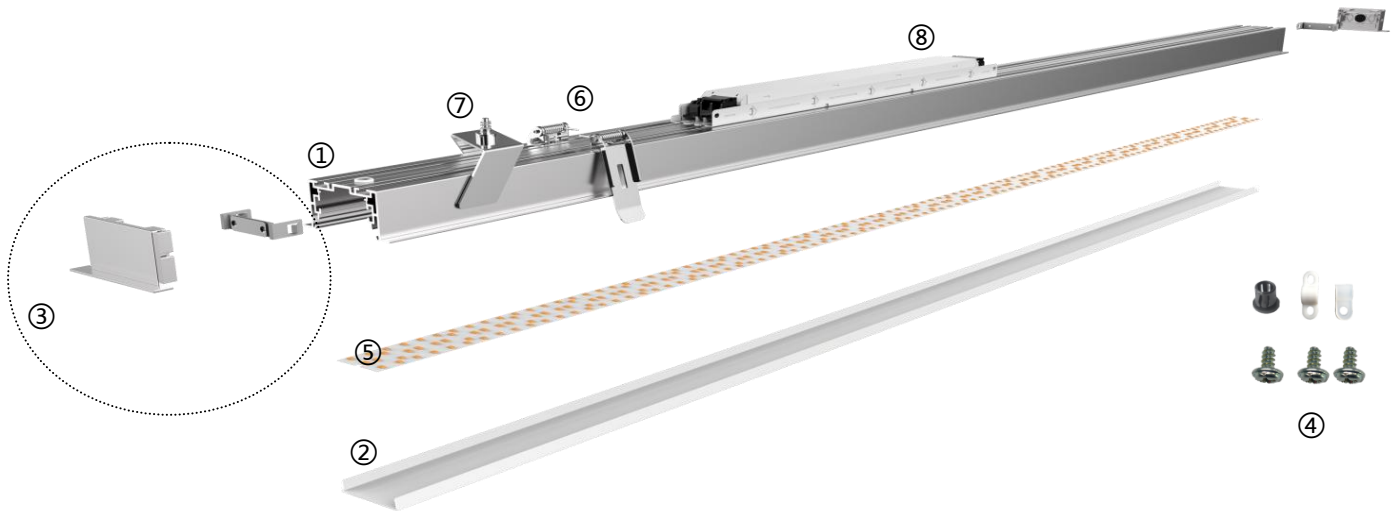


### Features

- Creative magnetic end cap, connect in seconds
- AL6063-T5 aluminum profile with high-quality surface treatment and three optional colors of black, white and silver
- Specially designed light source with PC diffusers producing homogenous & soft lighting
- Super free connection: 180 ° extender, "L-", "T-" and "X-" type light corner
- Recessed installation with two optional accessories of N-shaped buckle and butterfly clip
- Winner of IF Design Awards 2016



## Details



## Standard Configuration



### ① Profile:

Installation : Recessed  
Material: AL6063-T5  
Applications: Indoors  
Profile weight: 1.1kg/2.5m  
Size: L2500\*W69\*H35mm  
Surface processing: Anodizing



### ② Diffuser:

Type: Frosted diffuser  
Material: PC  
Light transmittance : 86%  
Size : L2500\*W47.5\*H10mm  
PC Feature : The diffuser will extend (shrink) 0.8mm/m when the temperature rises (drops) 10°C.



### ③ End cap






L69\*W35\*H18mm

Fireproof PC& magnet



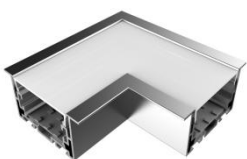
### ④ Cable clip

## Optional Accessories

	⑥ Recessed buckle (Butterfly clips)	L68.5*W35*H31.6mm	SPCC
	⑦ Recessed buckle (N-shaped)	L99.8*W59*H39.5mm	
	⑧ Power supply	ESD-V24-065S	363*34.5*22.5mm
	⑤ Flexible strip D8280-24V-34mm	DC24V 25W/m	width 34mm Min. cutting unit 50mm
	⑤ Rigid modular DY8280-24V-36mm	DC24V 25W/m	width 36mm Min. cutting unit 50mm

## Corners

L-type corner (L90- LE6935)



Al6063-T5&PC  
3.7W  
L107\*W107\*H35mm

L-type inner corner(L90N- LE6935)



Al6063-T5&PC  
5W  
L100\*W100\*H69mm

L-type exterior corner(L90W- LE6935)



Al6063-T5&PC  
5W  
L100\*W100\*H69mm

T-type corner(T90- LE6935)



Al6063-T5&PC  
5W  
L150\*W107\*H35mm

X-type corner(X90- LE6935)



Al6063-T5&PC  
6.2W  
L150\*W150\*H35mm

180° extender

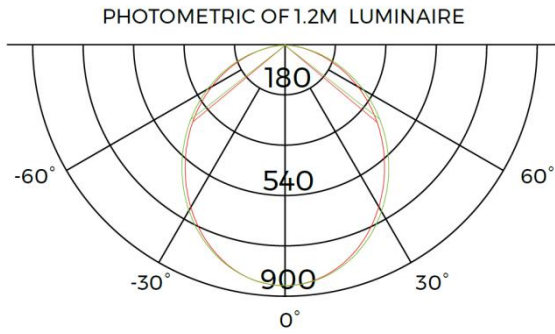


SPCC  
silver  
L55\*W10\*H2mm

\* The corners can be provided with or without light source.

## Optical Parameter

D8280-24V-34mm light source, frosted diffuser



1m	3076,864.7lx	241.46cm
2m	76.90,216.2lx	482.93cm
3m	34.18,96.07lx	724.39cm
5m	12.30,34.59lx	1207.32cm
7m	6.278,17.65lx	1690.24cm
Height	Eavg,Emax	Angle:100.73deg Diameter