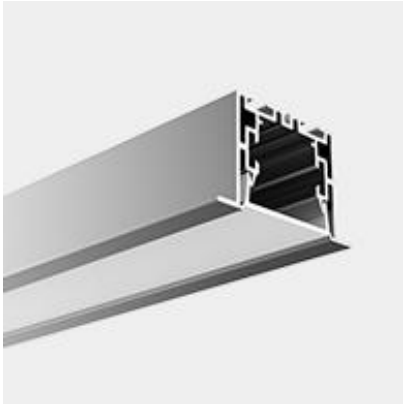


Specification

PRC 5535

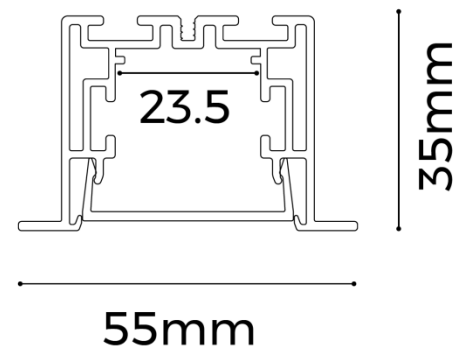


PRC 5535

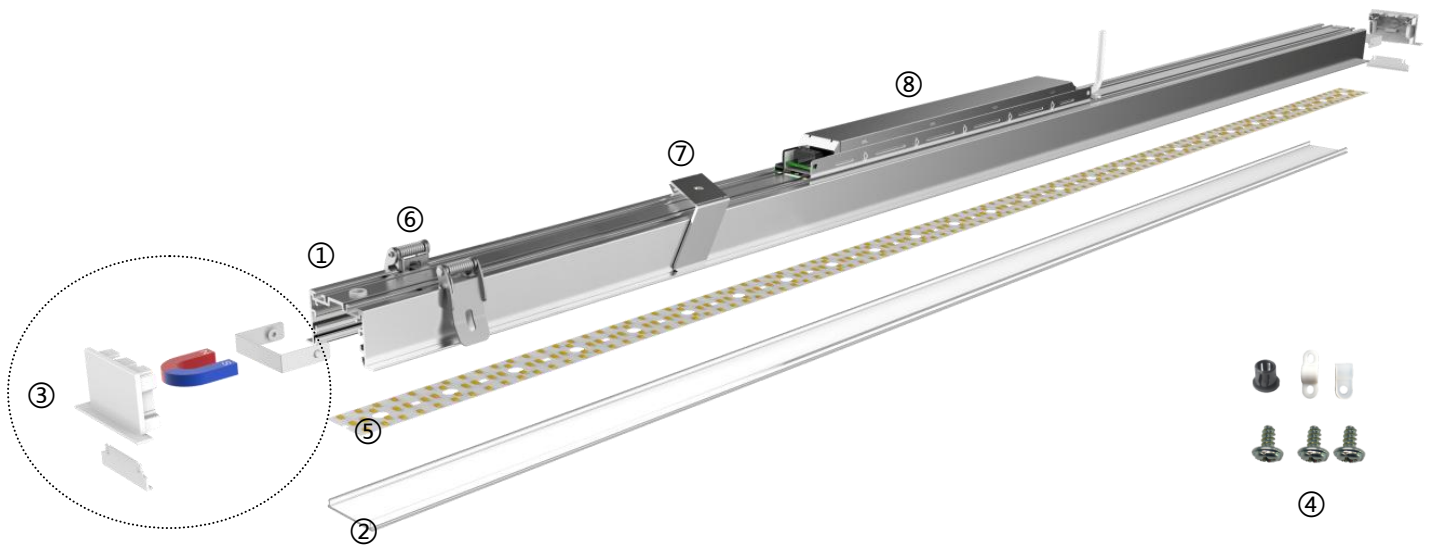


Features

- Creative magnetic end cap, connect in seconds
- AL6063-T5 aluminum profile with high-quality surface treatment and three optional colors of black, white and silver
- Specially designed light source with PC diffusers producing homogenous & soft lighting
- Super free connection: 180 ° extender, "L-", "T-" and "X-" type light corner
- Recessed installation with two optional accessories of N-shaped buckle and butterfly clip
- Winner of IF Design Awards 2016



Details



Standard Configuration



① Profile:

Installation : Recessed
 Material: AL6063-T5
 Applications: Indoors
 Profile weight: 0.92kg/2.5m
 Size: L2500*W55*H35mm
 Surface processing: Anodizing



② Diffuser:

Type: Frosted diffuser
 Material: PC
 Light transmittance : 86%
 Size : L2500*W34.2*H10.2mm
 PC Feature : The diffuser will extend (shrink) 0.8mm/m when the temperature rises (drops) 10°C.



③ End cap






L55*W35*H18mm

Fireproof PC& magnet



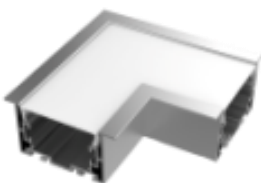
④ Cable clip

Optional Accessories

	⑥ Recessed buckle (Butterfly clips)	L68.5*W35*H31.6mm	SPCC
	⑦ Recessed buckle (N-shaped)	L107.3*W45*H39.5mm	
	⑧ Power supply	ESD-V24-065S	363*34.5*22.5mm
	⑤ Flexible strip D8280-24V-20mm	DC24V 20W/m	width 20mm Min. cutting unit 50mm
	⑤ Rigid modular DY8280-24V-23mm	DC24V 20W/m	width 23mm Min. cutting unit 50mm

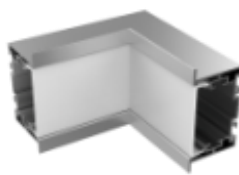
Corners

L-type corner (L90- LE5535)



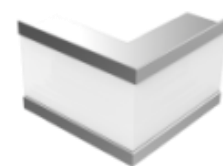
Al6063-T5&PC
3.1W
L107*W107*H35mm

L-type inner corner(L90N- LE5535)



Al6063-T5&PC
4W
L100*W100*H55mm

L-type exterior corner(L90W- LE5535)



Al6063-T5&PC
4W
L100*W100*H55mm

T-type corner(T90- LE5535)



Al6063-T5&PC
4W
L150*W107*H35mm

X-type corner(X90- LE5535)



Al6063-T5&PC
5W
L150*W150*H35mm

180° extender



SPCC
silver
L55*W10*H2mm

* The corners can be provided with or without light source.

Optical Parameter

D8280-24V-20mm light source, frosted diffuser

