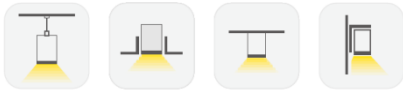
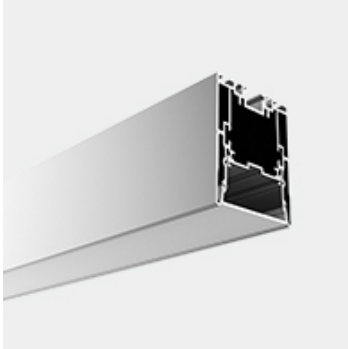


Specification

PRC 5470

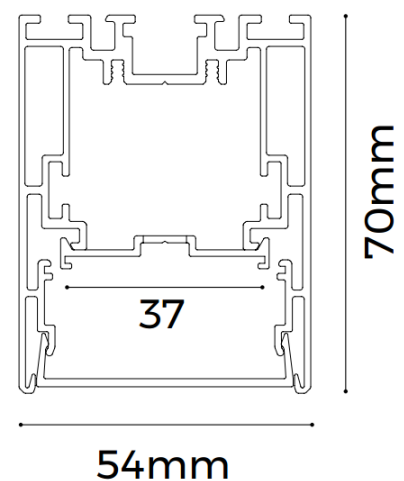


PRC 5470

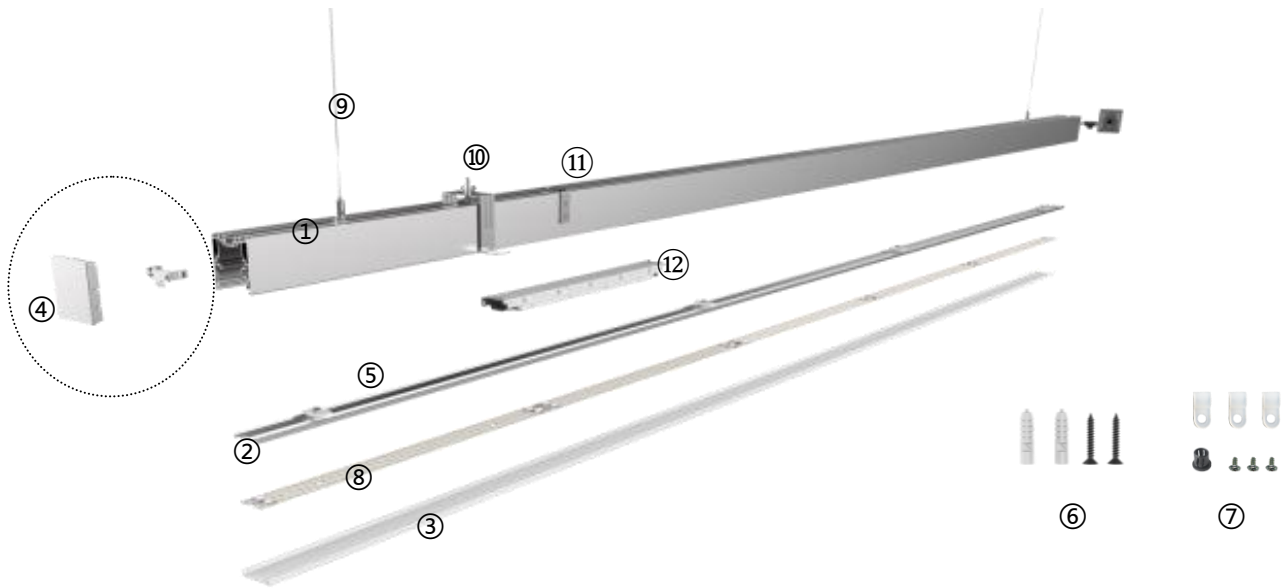


Features

- Creative magnetic end cap, connect in seconds
- Designed in creative carrier buckle extremely convenient for installation and maintenance
- AL6063-T5 aluminum profile with high-quality surface treatment and three optional colors of black, white and silver
- Specially designed light source with PC diffusers producing homogenous & soft lighting
- Super free connection: 180 ° extender, "L-", "T-" and "X-" type light corner
- Various installation ways: pendant, recessed, surface and wall mounted



Details



Standard Configuration



①Profile ②Carrier:

Installation : Pendant/Recessed/Surface mounted/Wall mounted

Material: AL6063-T5

Applications: Indoors

Profile weight: 1.85kg/2.5m

Size: L2500*W54*H70mm

Surface processing: Anodizing



③Diffuser:

Type: Frosted diffuser

Material: PC

Light transmittance: 86%

Size: L2500*W47.5*H10mm

PC Feature: The diffuser will extend (shrink) 0.8mm/m when the temperature rises (drops) 10°C.



④End cap

L54*W70*H11.5mm

Fireproof PC& magnet



⑤Quick locker

L32*W22*H6.8mm

PA66



⑥Screw set







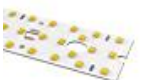
M3.5*40mm

Carbon steel



⑦Cable clip

Optional Accessories

	⑨Pendant cable with junction box	Steel cable D1.5*2000/4000mm	Junction box L80*W80*H30mm
	⑨Pendant cable without junction box	Steel cable D1.5*2000/4000mm	
	⑩Recessed buckle	L110*W25*H82mm	SPCC
	⑪Wall-mounted buckle	L50*W34*H18mm	SPCC
	⑫Power supply	ESD-V24-065S	363*34.5*22.5mm
	⑧Flexible strip D8280-24V-34mm	DC24V 25W/m width 34mm	Min. cutting unit 50mm
	⑧Rigid modular DY8280-24V-36mm	DC24V 25W/m width 36mm	Min. cutting unit 50mm

Corners

L-type corner (L90-LS5470)



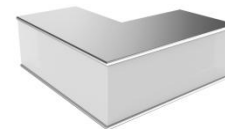
Al6063-T5&PC
3.7W
L100*W100*H70mm

L-type inner corner(L90N- LS5470)



Al6063-T5&PC
2.5W
L100*W100*H54mm

L-type exterior corner(L90W- LS5470)



Al6063-T5&PC
7.5W
L150*W150*H54mm

T-type corner(T90- LS5470)



Al6063-T5&PC
5W
L150*W100*H70mm

X-type corner(X90- LS5470)



Al6063-T5&PC
6.2W
L150*W150*H70mm

180° extender

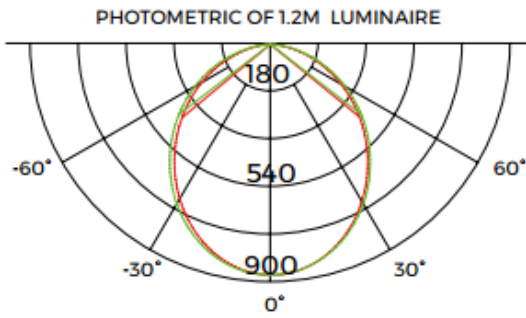


SPCC
silver
L55*W10*H2mm

* The corners can be provided with or without light source.

Optical Parameter

D8280-24V-34mm light source, frosted diffuser



1m	312.8,877.3lx		243.14cm
2m	78.20,219.3lx		486.29cm
3m	34.75,97.48lx		729.43cm
5m	12.51,35.09lx		1215.71cm
7m	6.384,17.90lx		1966.01cm
Height	Eavg,Emax	Angle:101.12deg	Diameter

The diagram shows a yellow cone representing the light beam spread. The cone is wider at the base and tapers to a point at the top. Horizontal lines across the cone indicate the diameter of the beam at different heights, corresponding to the data in the table.