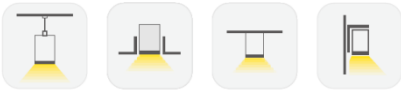
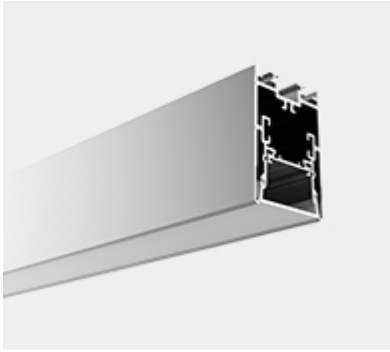


Specification

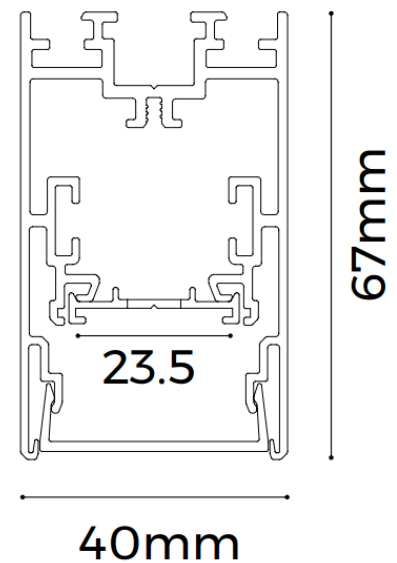
PRC 4067



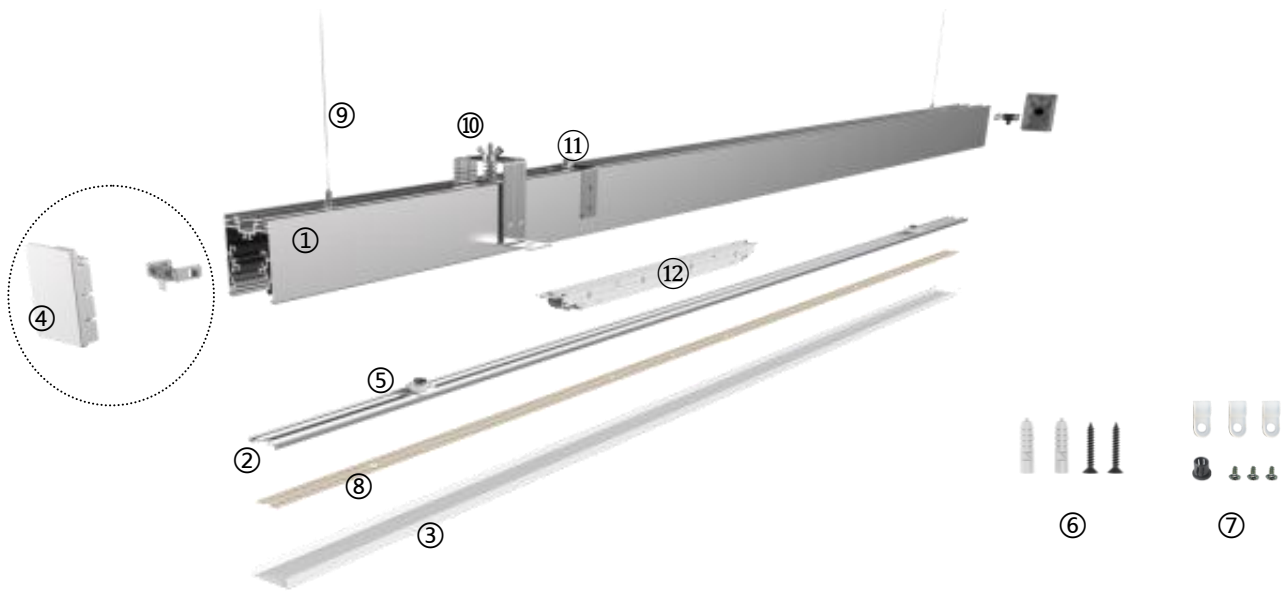


Features

- Creative magnetic end cap, connect in seconds
- Designed in creative carrier buckle extremely convenient for installation and maintenance
- AL6063-T5 aluminum profile with high-quality surface treatment and three optional colors of black, white and silver
- Specially designed light source with PC diffusers producing homogenous & soft lighting
- Super free connection: 180 ° extender, "L-", "T-" and "X-" type light corner
- Various installation ways: pendant, recessed, surface and wall mounted



Details



Standard Configuration



①Profile ②Carrier:

Installation : Pendant/Recessed/Surface mounted/Wall mounted
 Material: AL6063-T5
 Applications: Indoors
 Profile weight: 1.5kg/2.5m
 Size: L2500*W40*H67mm
 Surface processing: Anodizing



③Diffuser:

Type: Frosted diffuser
 Material: PC
 Light transmittance : 86%
 Size : L2500*W34.2*H10.2mm
 PC Feature : The diffuser will extend (shrink) 0.8mm/m when the temperature rises (drops) 10°C.



④End cap L40*W67*H11.5mm Fireproof PC& magnet



⑤Quick locker L21.8*W14*H7.7mm PA66







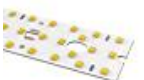


⑥Screw set M3.5*40mm Carbon steel



⑦Cable clip

Optional Accessories

	⑨Pendant cable with junction box	Steel cable D1.5*2000/4000mm	Junction box L80*W80*H30mm
	⑨Pendant cable without junction box	Steel cable D1.5*2000/4000mm	
	⑩Recessed buckle	L96*W25*H75mm	SPCC
	⑪Wall-mounted buckle	L50*W34*H18mm	SPCC
	⑫Power supply	ESD-V24-025S	330*21*20mm
	⑧Flexible strip D8280-24V-20mm	DC24V 20W/m width 20mm	Min. cutting unit 50mm
	⑧Rigid modular DY8280-24V-23mm	DC24V 20W/m width 23mm	Min. cutting unit 50mm

Corners

L-type corner (L90-LS4067)



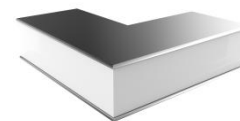
Al6063-T5&PC
2.5W
L100*W100*H67mm

L-type inner corner(L90N- LS4067)



Al6063-T5&PC
2W
L100*W100*H40mm

L-type exterior corner(L90W- LS4067)



Al6063-T5&PC
6W
L150*W150*H40mm

T-type corner(T90- LS4067)



Al6063-T5&PC
4W
L150*W100*H67mm

X-type corner(X90- LS4067)



Al6063-T5&PC
5W
L150*W150*H67mm

180° extender

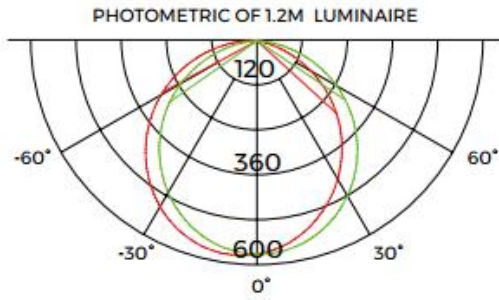


SPCC
silver
L55*W10*H2mm

* The corners can be provided with or without light source.

Optical Parameter

D8280-24V-20mm light source, frosted diffuser



1m	178.1,598.0lx	280.86cm
2m	44.53,149.51lx	561.72cm
3m	19.79,66.45lx	842.58cm
5m	7.125,23.92lx	1404.29cm
7m	3.635,12.21lx	1966.01cm
Height	Eavg,Emax	Angle:109.09deg Diameter